

Addonics
TECHNOLOGIES

User Guide



**Sapphire Dual Drive Enclosure
(S25REU3)**

CONTACT US

www.addonics.com

Phone: 408-573-8580

Fax: 408-573-8588

Email: <http://www.addonics.com/sales/query/>

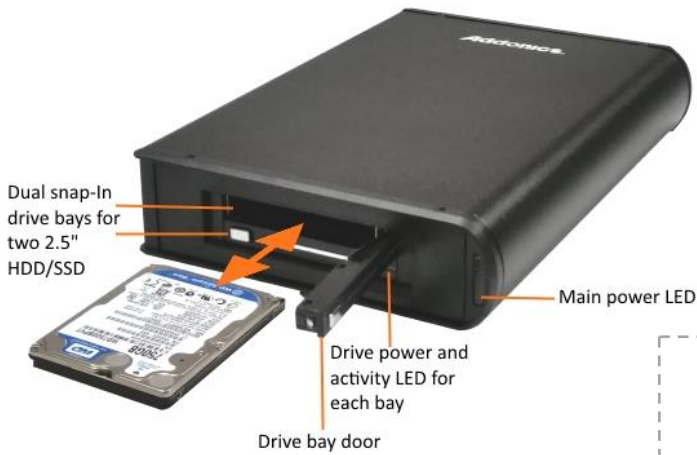
Technical Support

If you need any assistance to get your unit functioning properly, please have your product information ready and contact Addonics Technical Support at:

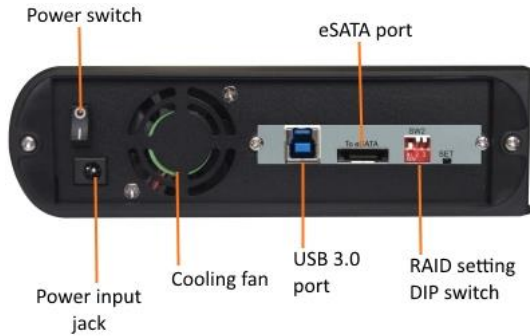
Hours: 8:30 am - 6:00 pm PST

Phone: 408-453-6212

Overview



Rear view



SW2 DIP switch settings

1	2	3	RAID type
OFF	ON or OFF	ON or OFF	configure RAID via PM software
ON	ON	ON	SPAN (Big Drive)
ON	ON	OFF	RAID 0
ON	OFF	ON	RAID 1
ON	OFF	OFF	JBOD (individual drive)

Configuring RAID using dip switches

Included accessories

3-foot eSATA cable



6-foot USB 3.0 A-B cable



12V power adapter



Configuring RAID using software

Step 1.
When opening the software utility, usually it will look like this:



Step 2.
Click on the box next to "Current Mode." The Change Mode page will not work until this is done, even if only one item is available.

Step 3.
Click on the desired Mode then click Execute.

