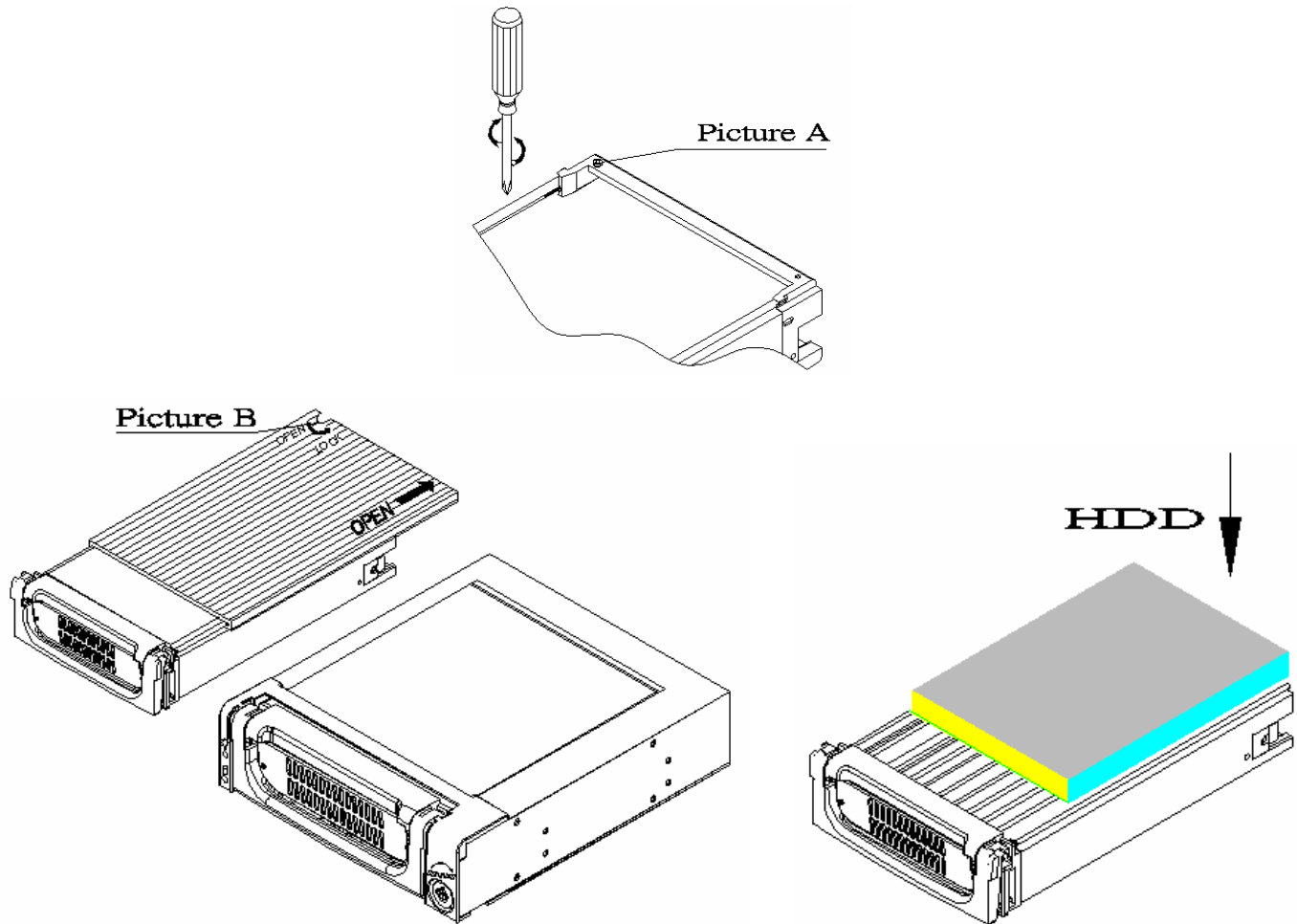


Combo Hard Drive II for Serial ATA hard drive (AECHDSA35-R)

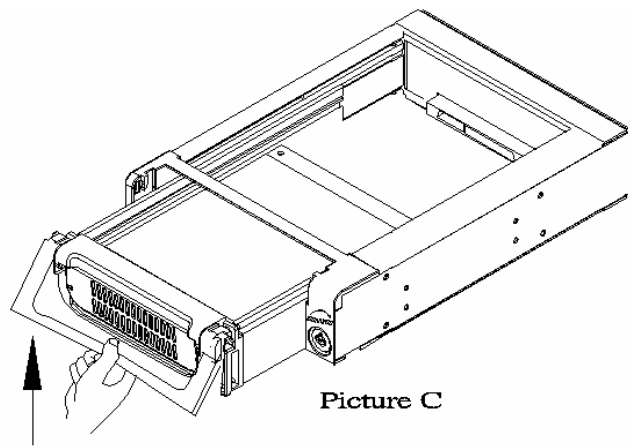
Mobile Rack II for Serial ATA hard drive (AENRHDSA35-R)

## User's Manual

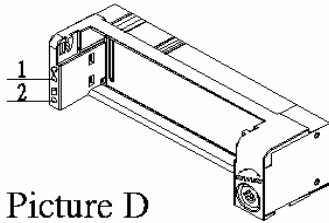


Magic Handle—Auto In/Out (see picture C)

1. Power LED: Power on, LED indicates Green. (see picture D)
2. Amber LED blinking while HDD access.



Picture C

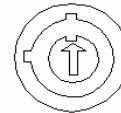


Picture D

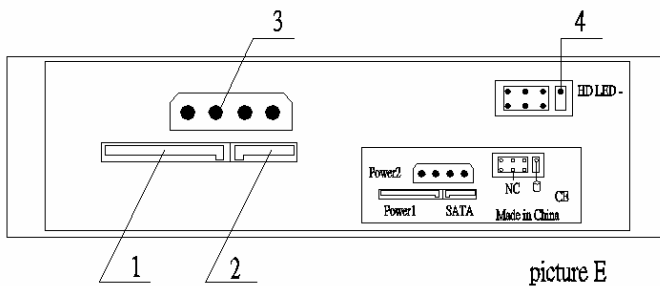
★ keylock

OPEN

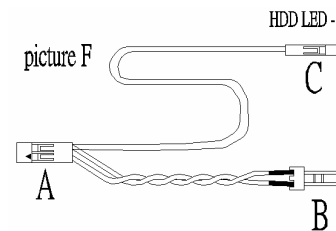
LOCK



### Back View (Picture E)



### Access LED wiring (Picture F)



#### 1. 15pin Serial ATA Power connector (Pic.E-1)

If your power is from SATA 15pin connector, connect it to the 15pin connector

#### 2. 7pin Serial ATA Signal connector (Pic.E-2)

#### 3. 4pin Power connector (Pic.E-3)

If your power is not from SATA 15pin connector, then, use the 4pin power connector, the 4pin power will automatically be convert to SATA power.

#### 4. External HDD Access pin connections--

1<sup>st</sup> set Pins: HDD access connection (Note: "+" and "-" position). See it from motherboard manual.

[2<sup>nd</sup> ~ 4<sup>th</sup> sets Pins :Reserved]

How to connect (See Picture F)

Connect to pins on the motherboard ( wire white color is "-"), (see picture F-A)

HD LED (to the computer LED), (see picture F-B)

Connect to HDD pins on the mobile rack (see picture F-C, picture E -4).